

CEILING MOUNTING: TYPE RE2, 1-1/2"-2" CLOUDS

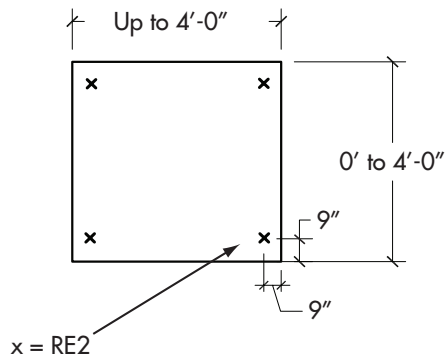
APPLICATION

For hanging fiberglass acoustical panels as Clouds. Use on 1-1/2" to 2" thick Clouds up to 4'x4' (16 sf or less). See drawings below.

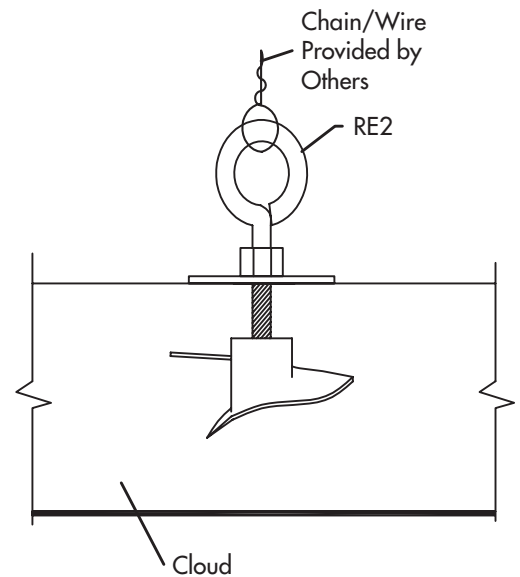
DESCRIPTION

This installation uses RE2 hanger assemblies. This allows you to install fiberglass acoustical clouds from ceilings. Installation is as follows:

1. RE2 hangers come fully assembled and ready to install in the **back** of each Cloud.
2. Locate each place to install RE2 hangers. The minimum distance from each edge is 9". See drawings below.
3. Using a razor knife, cut a 1/4" slot at a 45 degree angle. Tuck the leading edge of the RE2 assembly into the slot and turn, **by hand only**, the RE2 hanger until it is fully engaged with the washer snug to the back of the panel. **Do Not Overtighten.**
4. Use wire, chain or "S" hooks (provided by others) to hang the Clouds.
5. Number of RE2 hangers per Cloud. See drawing below:



CLOUD MOUNTING TYPE RE2



Note: RE2 is only used with Clouds 1-1/2" to 2" thick, up to 4'x4' (16 sf or less).

Controlling Sound Beautifully