

# CEILING MOUNTING: CLOUD REFLECTOR BARREL DIFFUSER (CR-BD)

## APPLICATION

For hanging barrel-shaped Cloud Reflectors.

## DESCRIPTION

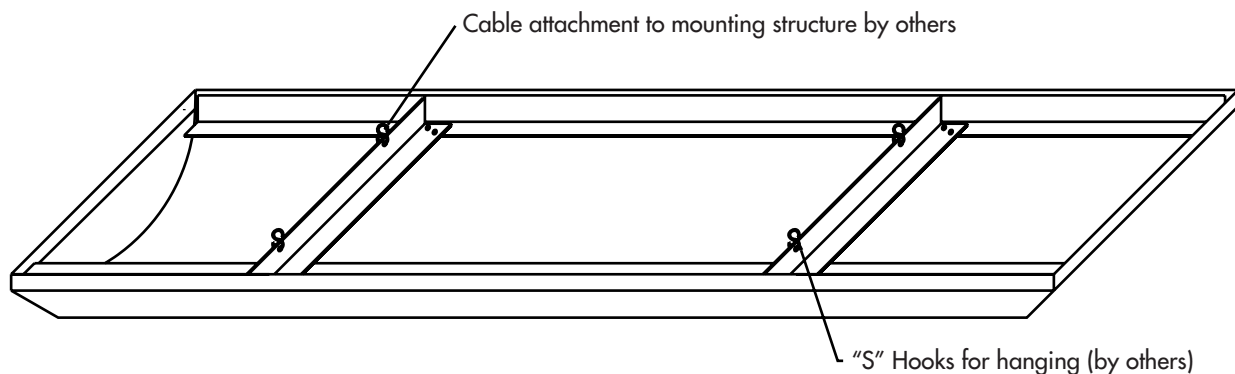
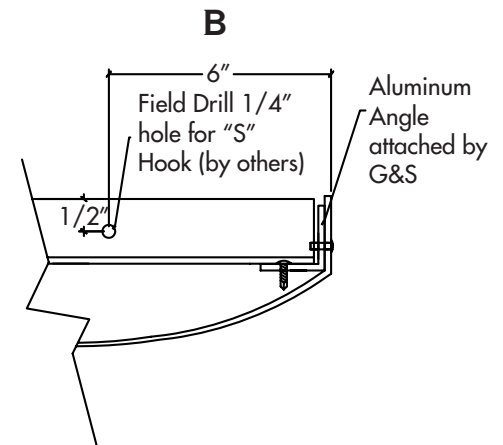
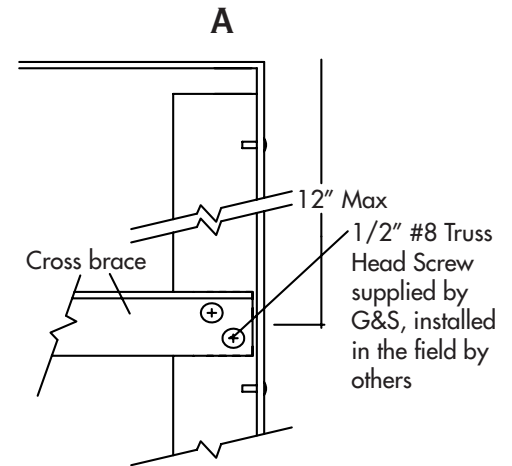
Installation is as follows:

1. Install cross braces 12" in from each end with two 1/2" #8 sheet metal screws. Exercise caution when pre-drilling aluminum for screw as not to drill into face of Diffuser.  
**See drawing A**

2. Field drill holes in aluminum cross braces for "S" hooks.  
**See drawing B**

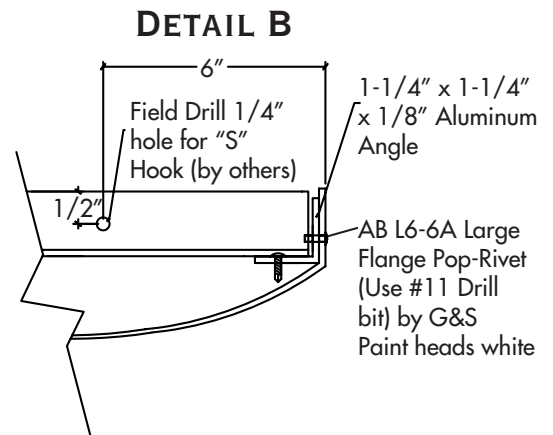
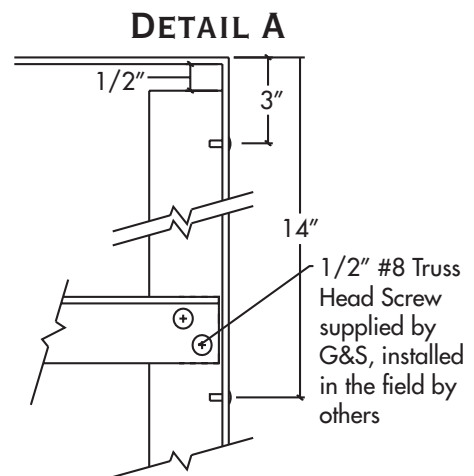
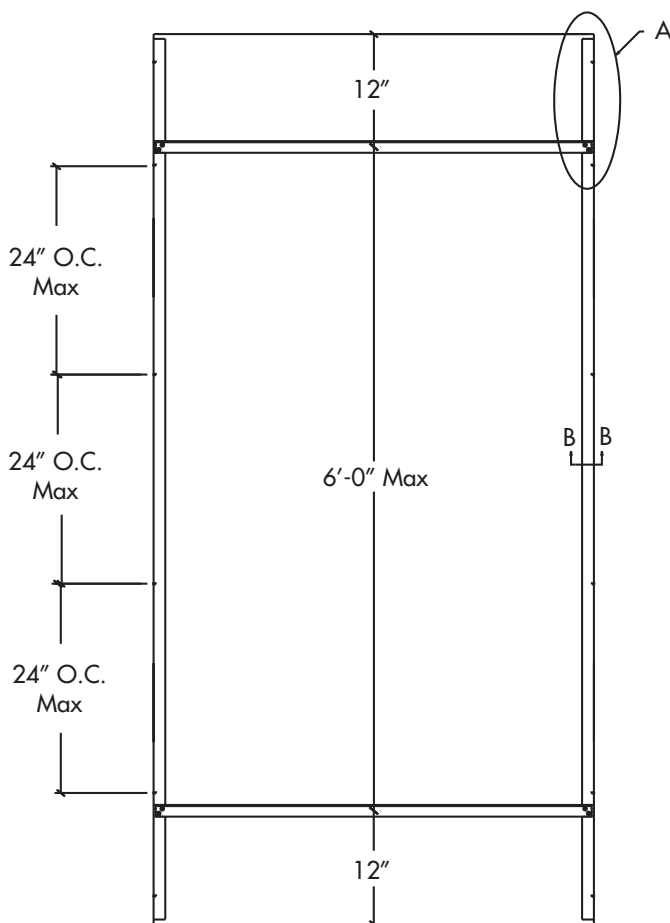
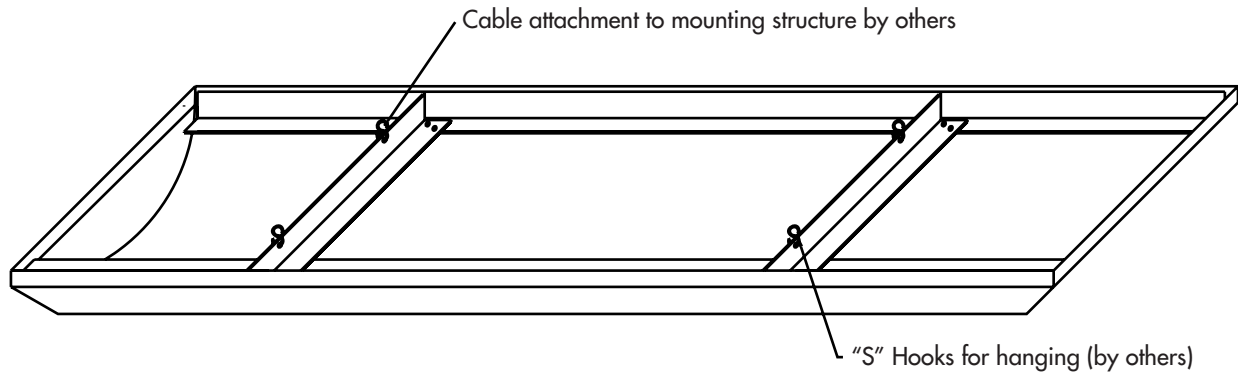
3. Use wire, chain or "S" hooks (provided by others) to hang each Diffuser from the aluminum cross angle. Hang with minimum of 4 wires.

## CLOUD MOUNTING DETAIL



*Controlling Sound Beautifully*

# CEILING MOUNTING: CLOUD REFLECTOR BARREL DIFFUSER (CR-BD)



*Controlling Sound Beautifully*

800-737-0307 • 636-225-8800 • fax 636-225-2966 • www.gsacoustics.com

