

CEILING MOUNTING: BANNERS WITH WASHERS

APPLICATION

For mounting Banners to ceilings or any structural support.

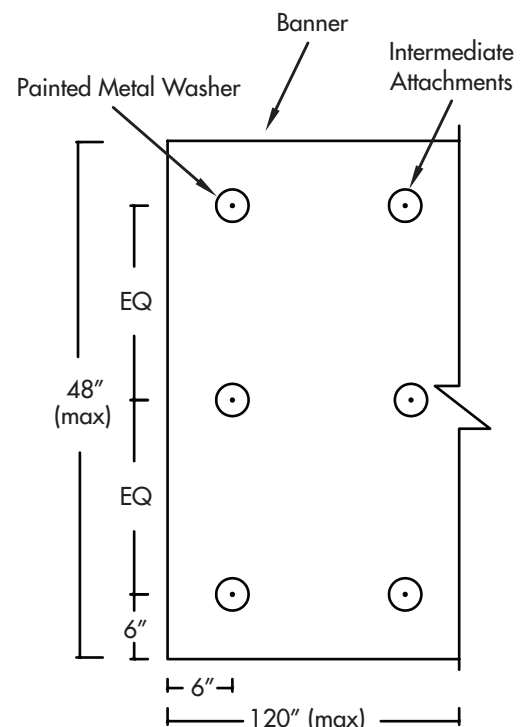
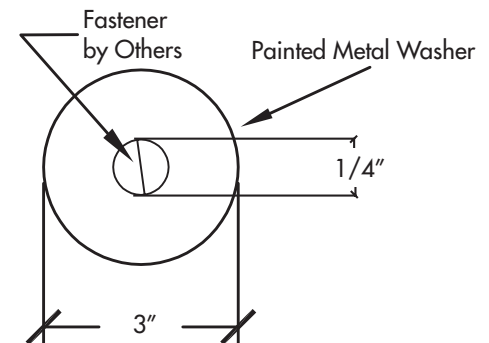
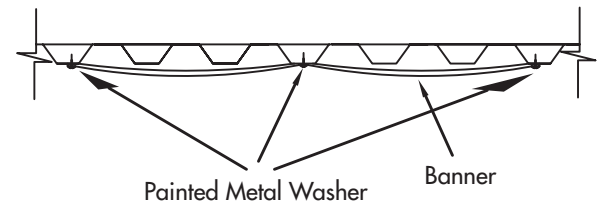
DESCRIPTION

This installation technique is used to mount acoustical Banners using painted washers. Installation is as follows:

1. Confirm that washers are painted to match the Banner color.
2. Select appropriate fasteners (not provided by G&S Acoustics) to attach the Banner to the ceiling.
3. Install fasteners through the painted washers and gently through the Banners. The location must be at least 6" from the end of the Banner.
4. At one end (or middle) of the Banner, screw fasteners to the ceiling at the selected attachment points. Note: Screwing the fastener in too tight will create a wrinkled look on the face of the Banner. Advise installers to use best judgement to properly hold the Banner while giving a pleasing aesthetic look.
5. Use two washers at each installation point.
6. Avoid pulling the banner too taut.
7. If the installation points are 120" or less apart, the banner can be installed with as little as a 6" drop - but no less.
8. If your installation points are greater than 120" apart, the drop must be greater than 6". Call us at 800-737-0307.

Note: For best acoustical performance, perforated side of PVC Banners should face down.

MOUNTING DETAIL



Controlling Sound Beautifully